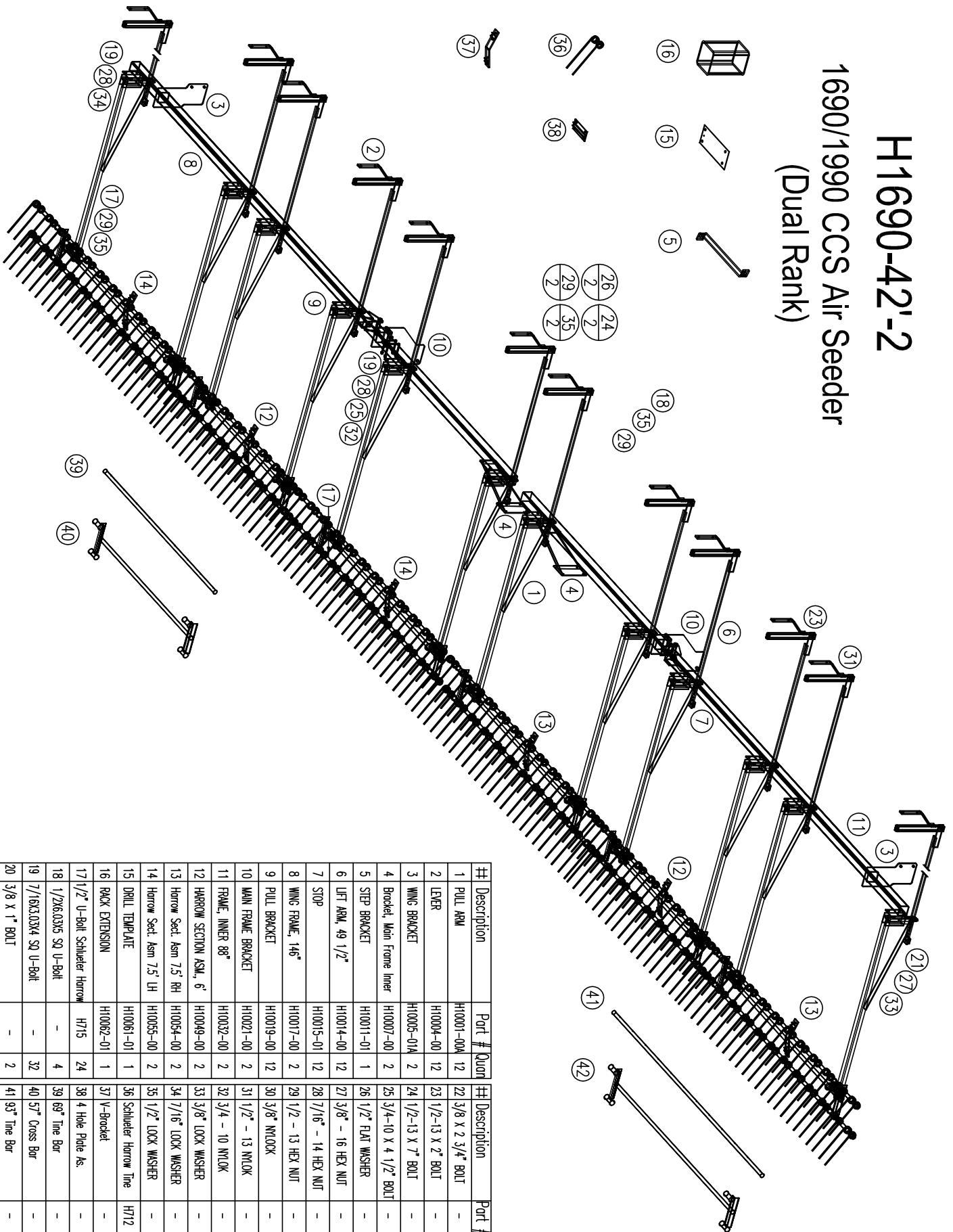


H1690-42'-2

1690/1990 CCS Air Seeder (Dual Rank)



##	Description	Part #	Quan	##	Description	Part #	Quan
1	PULL ARM	H10001-00M	12	22	3/8 X 2 3/4" BOLT	-	12
2	LEDER	H10004-00	12	23	1/2-13 X 2" BOLT	-	12
3	WING BRACKET	H10005-01A	2	24	1/2-13 X 7" BOLT	-	24
4	Bracket, Main Frame Inner	H10007-00	2	25	3/4-10 X 4 1/2" BOLT	-	2
5	STEP BRACKET	H10011-01	1	26	1/2" FLAT WASHER	-	24
6	LIFT ARM, 49 1/2"	H10014-00	12	27	3/8" - 16 HEX NUT	-	14
7	STOP	H10015-01	12	28	7/16" - 14 HEX NUT	-	64
8	WING FRAME, 146"	H10017-00	2	29	1/2 - 13 HEX NUT	-	80
9	PULL BRACKET	H10019-00	12	30	3/8" NUTLOCK	-	12
10	MAIN FRAME BRACKET	H10021-00	2	31	1/2" - 13 NUTLOCK	-	12
11	FRAME, INNER 88"	H10032-00	2	32	3/4 - 10 NUTLOCK	-	2
12	HARROW SECTION ASM., 6'	H10049-00	2	33	3/8" LOCK WASHER	-	14
13	Harrow Sect. Asm 7.5' RH	H10054-00	2	34	7/16" LOCK WASHER	-	64
14	Harrow Sect. Asm 7.5' LH	H10055-00	2	35	1/2" LOCK WASHER	-	80
15	DRILL TEMPLATE	H10061-01	1	36	Schueler Harrow Line	H712	-
16	RACK EXTENSION	H10062-01	1	37	V-Bracket	-	-
17	1/2" U-Bolt Schueler Harrow	H715	24	38	4 Hole Plate As.	-	-
18	1/2x6.03x5 SQ U-Bolt	-	4	39	69" Time Bar	-	-
19	7/16x3.03x4 SQ U-Bolt	-	32	40	57" Cross Bar	-	-
20	3/8 x 1" BOLT	-	2	41	93" Time Bar	-	-
21	3/8 X 1 1/4" BOLT	-	12	42	73" Cross Bar	-	-