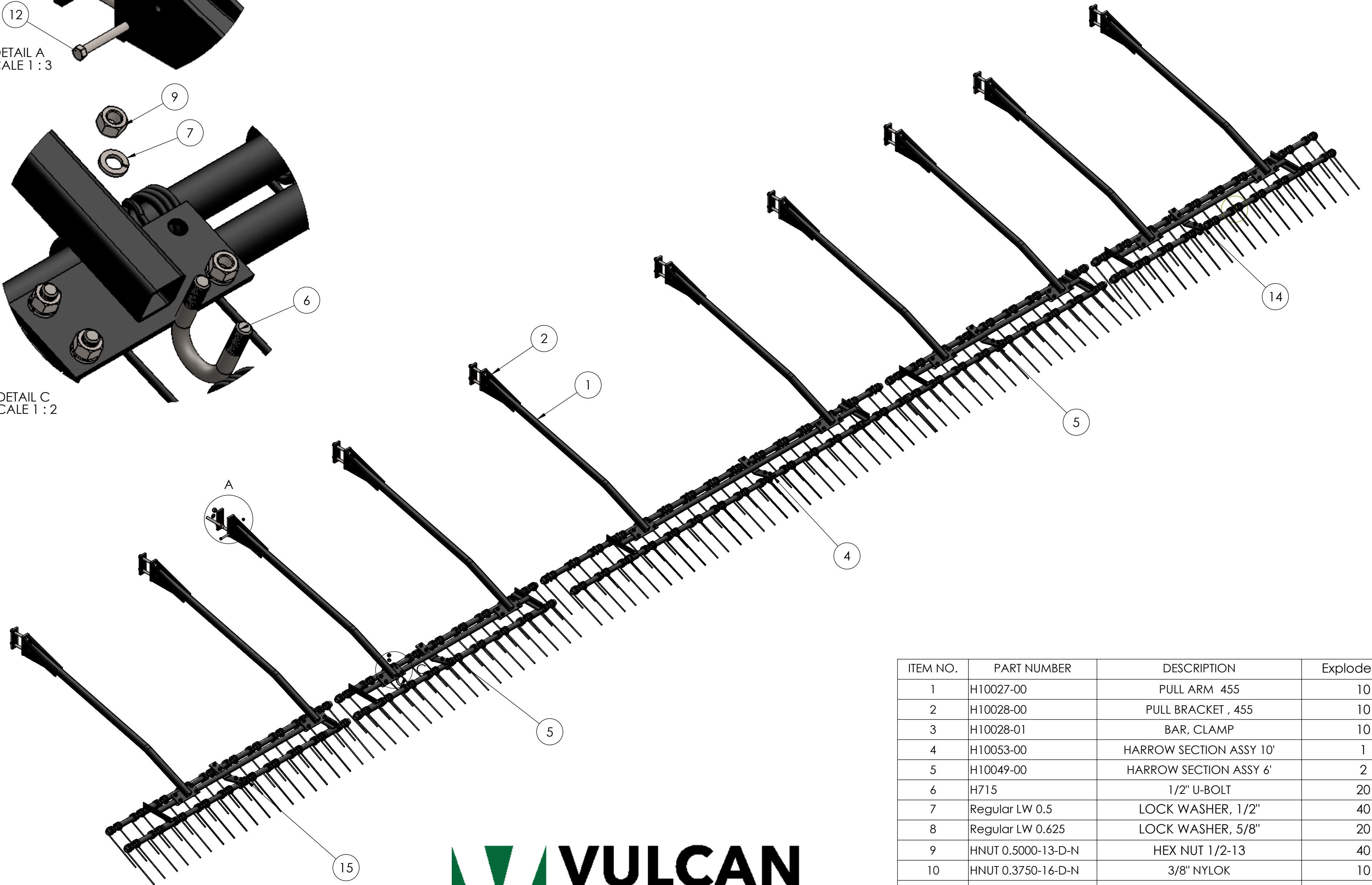
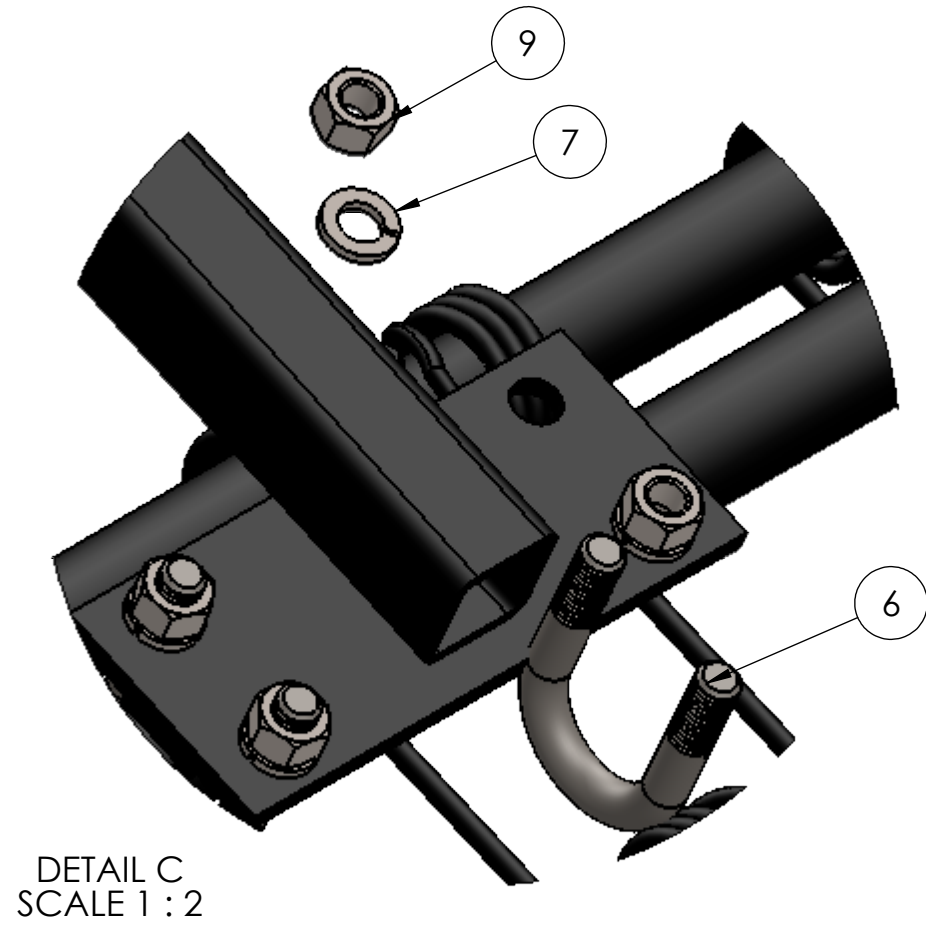
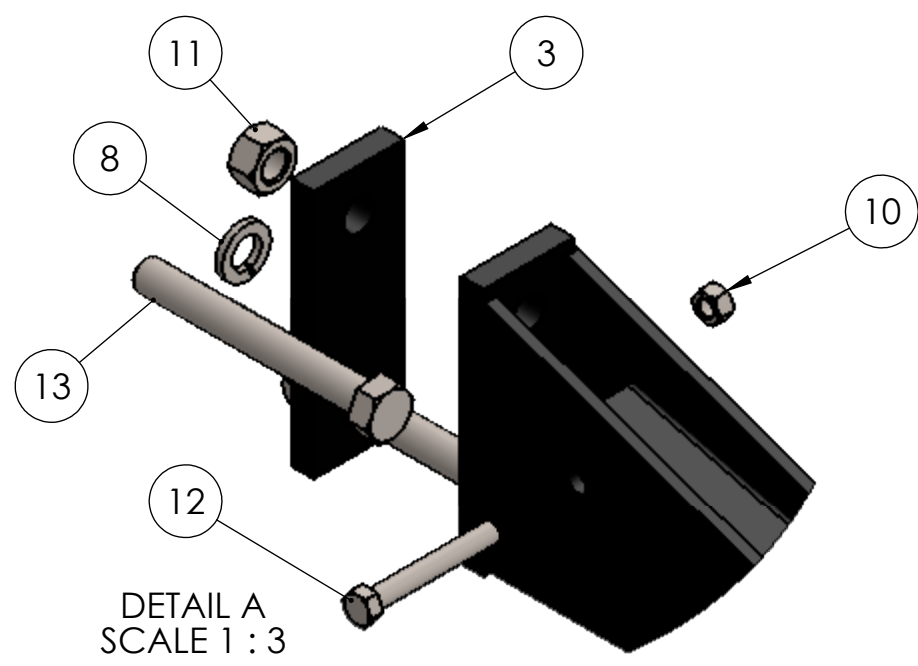


H455-35' SCHLUETER HARROW JD455



ITEM NO.	PART NUMBER	DESCRIPTION	Explode/QTY.
1	H10027-00	PULL ARM 455	10
2	H10028-00	PULL BRACKET , 455	10
3	H10028-01	BAR, CLAMP	10
4	H10053-00	HARROW SECTION ASSY 10'	1
5	H10049-00	HARROW SECTION ASSY 6'	2
6	H715	1/2" U-BOLT	20
7	Regular LW 0.5	LOCK WASHER, 1/2"	40
8	Regular LW 0.625	LOCK WASHER, 5/8"	20
9	HNUT 0.5000-13-D-N	HEX NUT 1/2-13	40
10	HNUT 0.3750-16-D-N	3/8" NYLOK	10
11	HNUT 0.6250-11-D-N	HEX NUT 5/8-11	20
12	HBOLT 0.3750-16x2.75x1-N	BOLT 3/8-16 X 2.75"	10
13	HBOLT 0.6250-11x5x1.5-N	BOLT 5/8-11 X 5"	20
14	H10056-00	HARROW SECTION ASSY 6.5' RH	1
15	H10057-00	HARROW SECTION ASSY 6.5' LH	1

