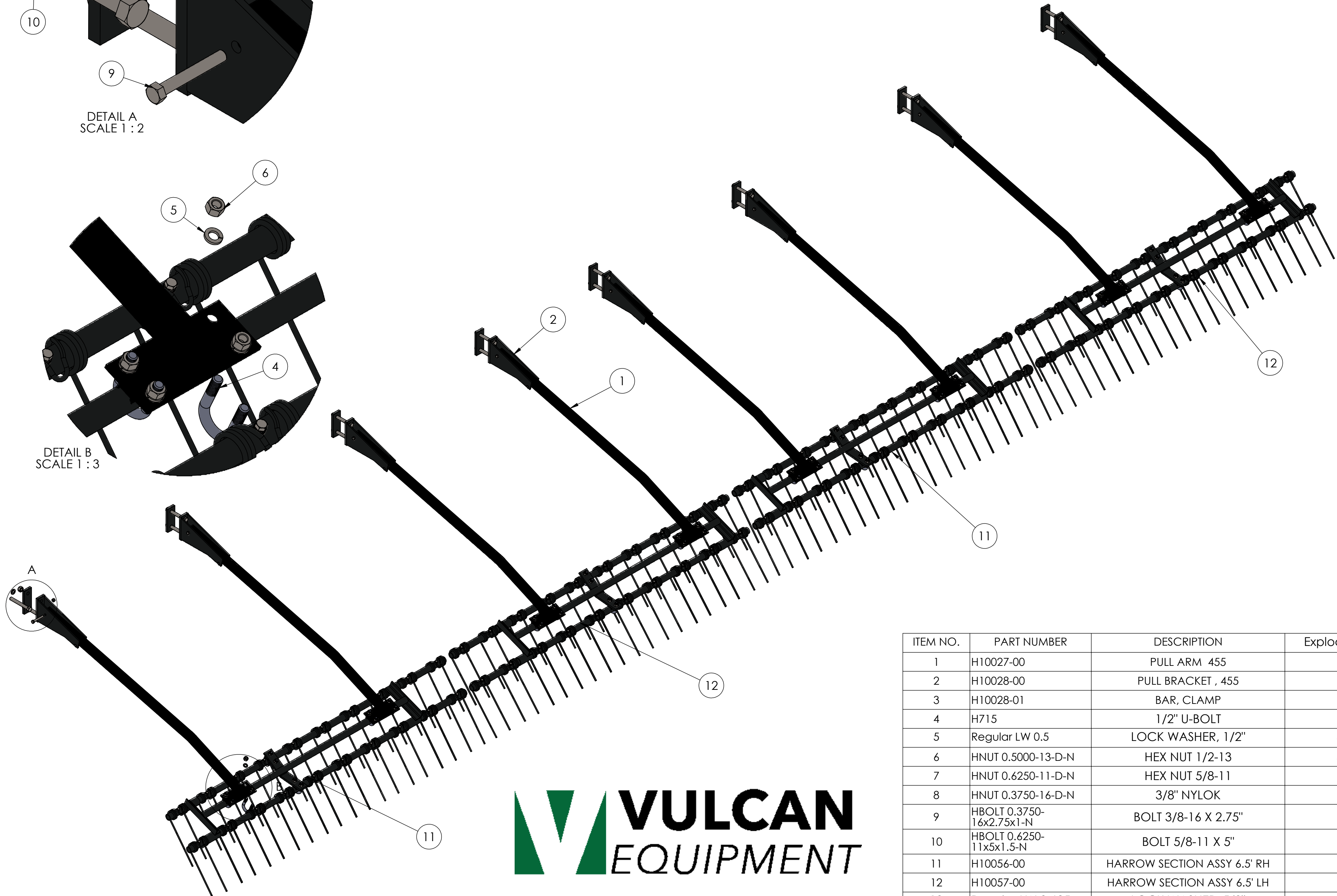
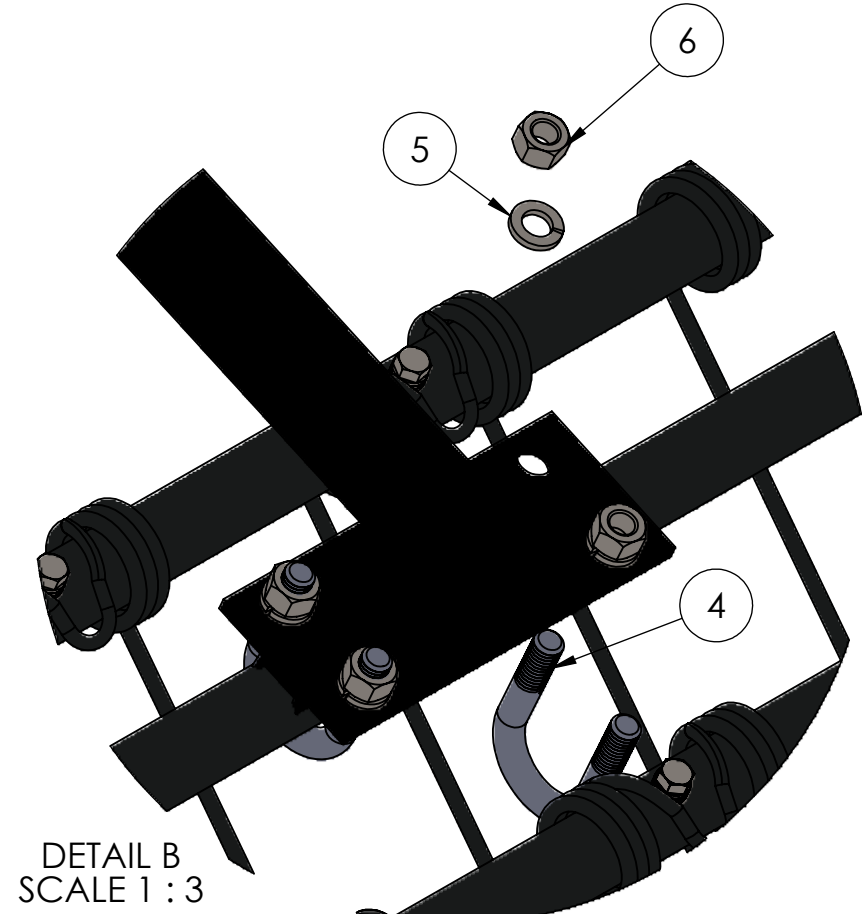
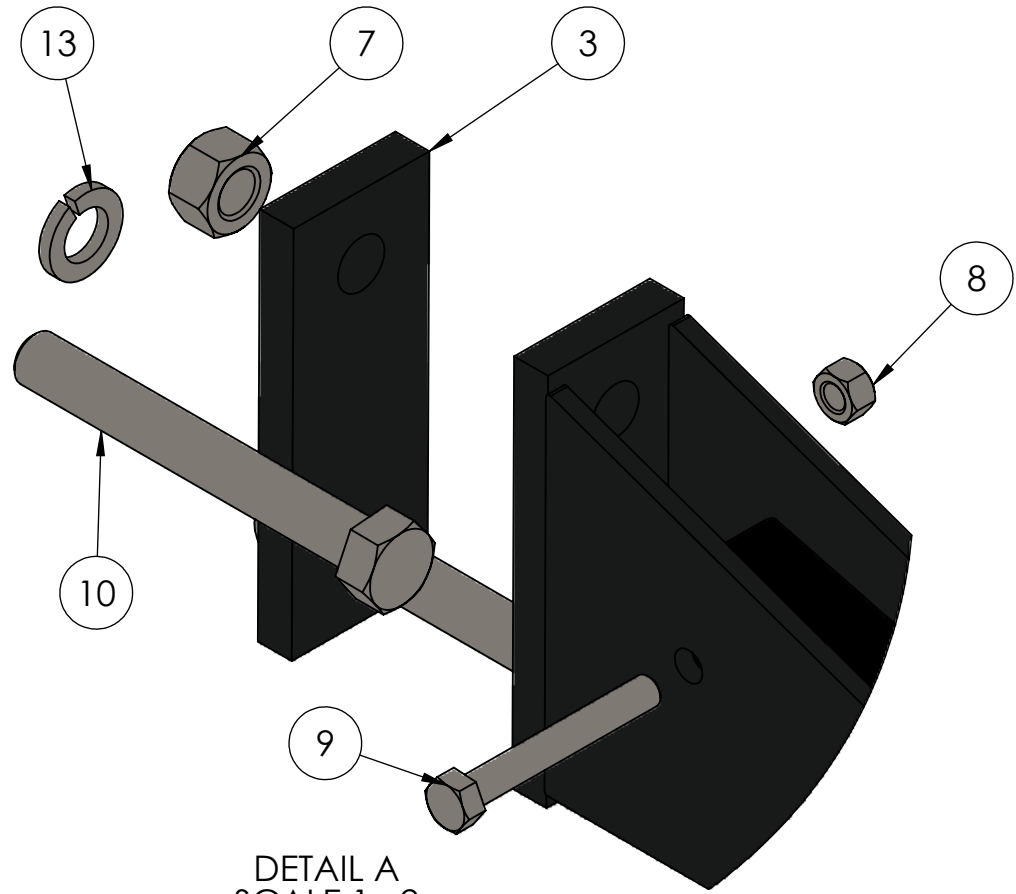


# H455-25' SCHLUETER HARROW JD455



ITEM NO.	PART NUMBER	DESCRIPTION	Explode/QTY.
1	H10027-00	PULL ARM 455	8
2	H10028-00	PULL BRACKET , 455	8
3	H10028-01	BAR, CLAMP	8
4	H715	1/2" U-BOLT	16
5	Regular LW 0.5	LOCK WASHER, 1/2"	32
6	HNUT 0.5000-13-D-N	HEX NUT 1/2-13	32
7	HNUT 0.6250-11-D-N	HEX NUT 5/8-11	16
8	HNUT 0.3750-16-D-N	3/8" NYLOK	8
9	HBOLT 0.3750-16x2.75x1-N	BOLT 3/8-16 X 2.75"	8
10	HBOLT 0.6250-11x5x1.5-N	BOLT 5/8-11 X 5"	16
11	H10056-00	HARROW SECTION ASSY 6.5' RH	2
12	H10057-00	HARROW SECTION ASSY 6.5' LH	2
13	Regular LW 0.625	LOCK WASHER, 5/8"	16