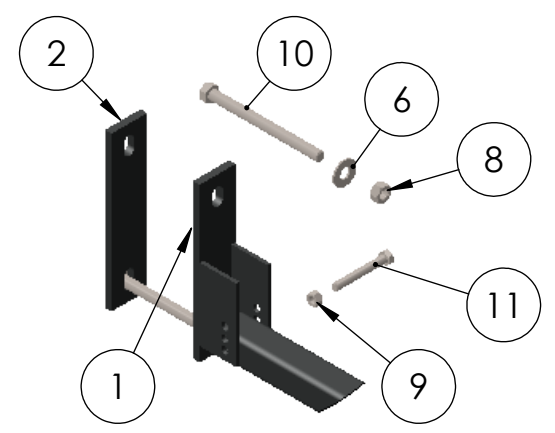


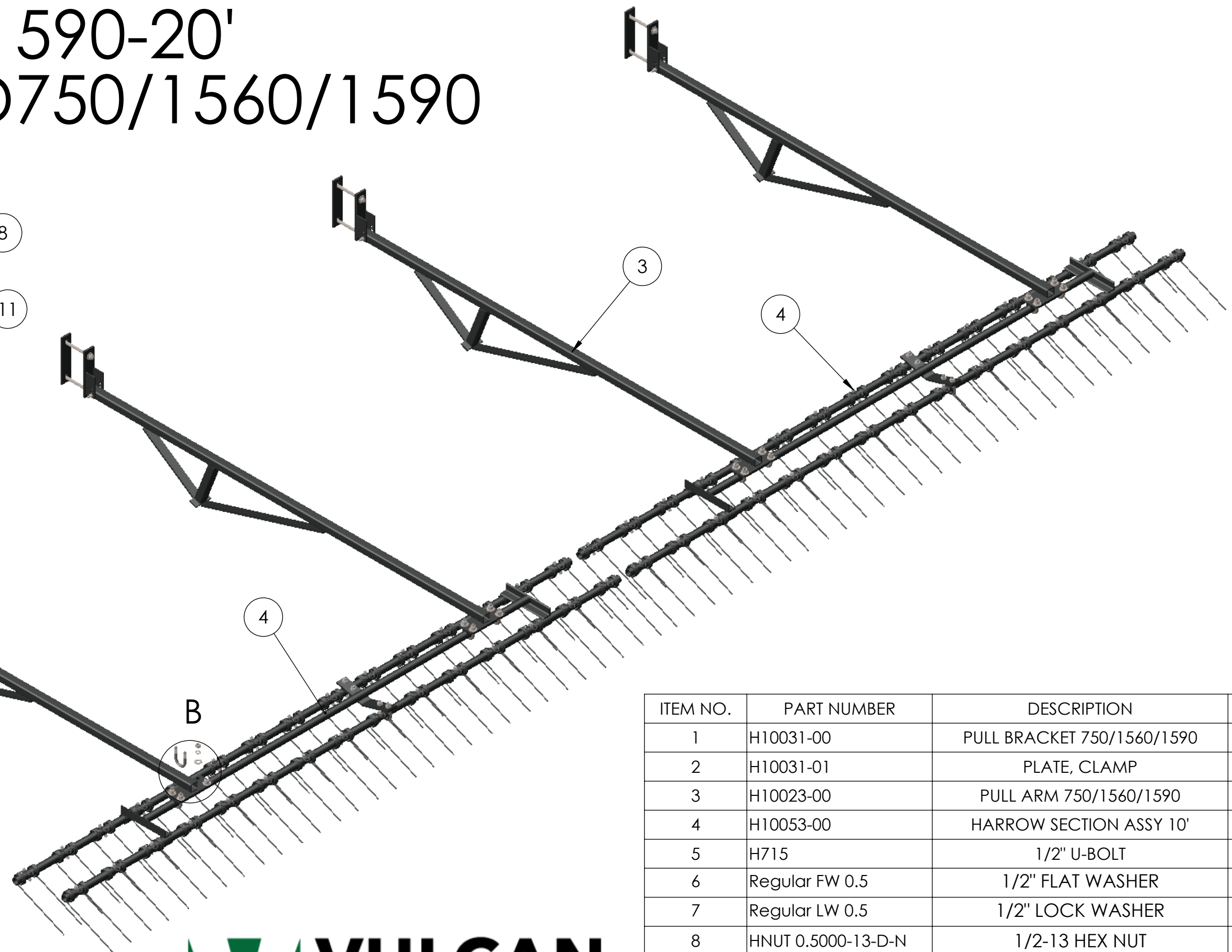
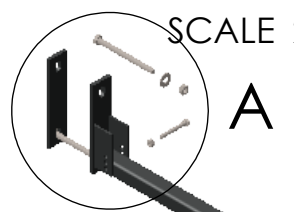
# H1590-20'

## JD750/1560/1590

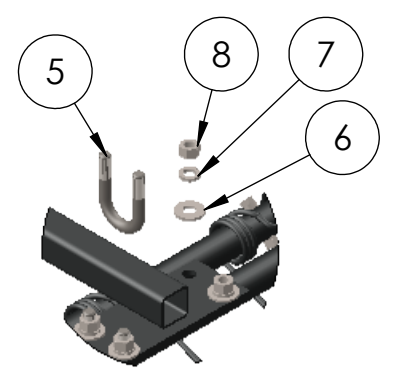


DETAIL A

SCALE 2:15



B



DETAIL B

SCALE 2:15

ITEM NO.	PART NUMBER	DESCRIPTION	Ex/QTY.
1	H10031-00	PULL BRACKET 750/1560/1590	4
2	H10031-01	PLATE, CLAMP	4
3	H10023-00	PULL ARM 750/1560/1590	4
4	H10053-00	HARROW SECTION ASSY 10'	2
5	H715	1/2" U-BOLT	8
6	Regular FW 0.5	1/2" FLAT WASHER	24
7	Regular LW 0.5	1/2" LOCK WASHER	16
8	HNUT 0.5000-13-D-N	1/2-13 HEX NUT	24
9	HNUT 0.3750-16-D-N	3/8-16 NYLOCK	4
10	HBOLT 0.5000-13x6x1.25-N	1/2-13 X 6" HEX BOLT	8
11	HBOLT 0.3750-16x2.75x1-N	3/8-16 X 2.75" HEX BOLT	4

