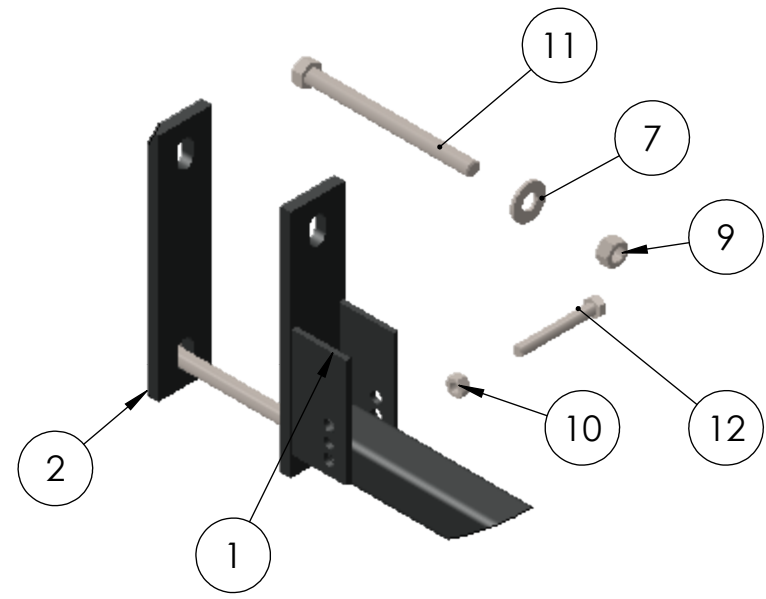
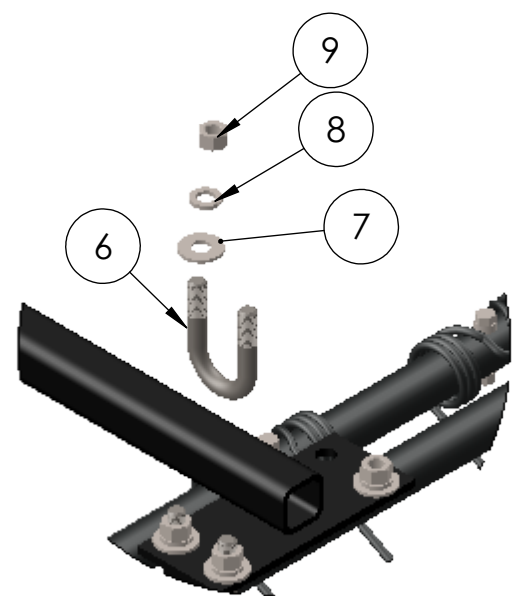
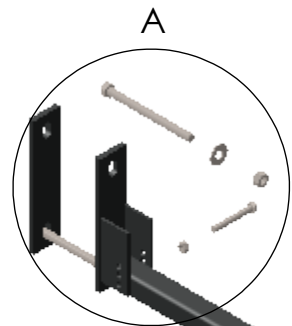


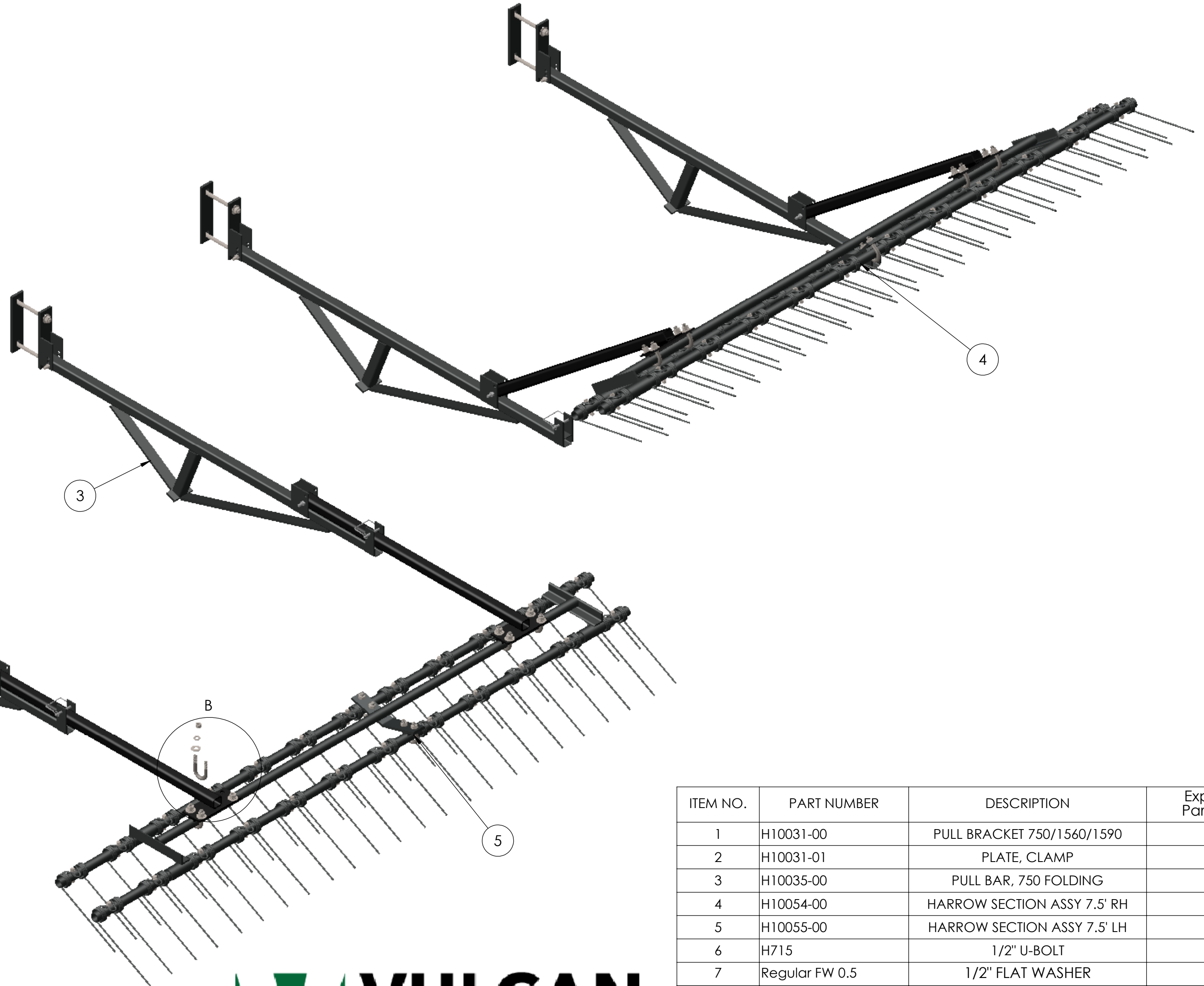
# H1590-15'-F JD750/1560/1590 W/FOLDING ARMS



DETAIL A  
SCALE 1 : 5



DETAIL B  
SCALE 1 : 5



ITEM NO.	PART NUMBER	DESCRIPTION	Exploded Parts/QTY.
1	H10031-00	PULL BRACKET 750/1560/1590	4
2	H10031-01	PLATE, CLAMP	4
3	H10035-00	PULL BAR, 750 FOLDING	4
4	H10054-00	HARROW SECTION ASSY 7.5' RH	1
5	H10055-00	HARROW SECTION ASSY 7.5' LH	1
6	H715	1/2" U-BOLT	8
7	Regular FW 0.5	1/2" FLAT WASHER	24
8	Regular LW 0.5	1/2" LOCK WASHER	16
9	HNUT 0.5000-13-D-N	1/2-13 HEX NUT	24
10	HNUT 0.3750-16-D-N	3/8-16 HEX NUT	4
11	HBOLT 0.5000-13x6x1.25-N	HEX BOLT 1/2-13 X 6"	8
12	HBOLT 0.3750-16x2.75x1-N	HEX BOLT 3/8-16 X 2.75"	4