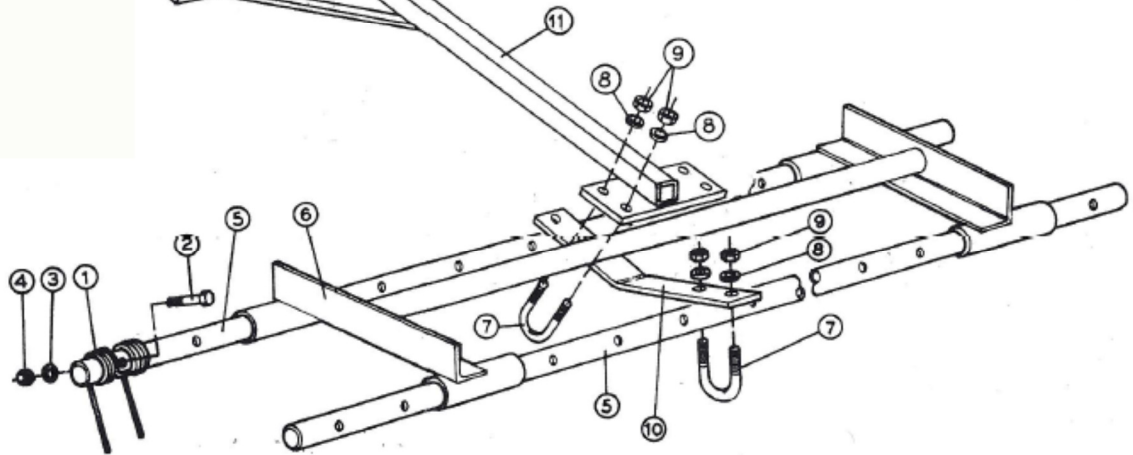
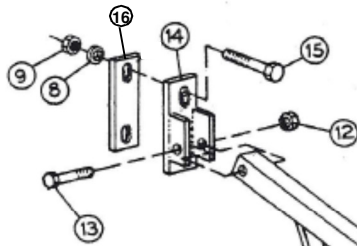


SCHLUETER HARROW PARTS LIST

FOR JOHN DEERE 750, 1560 & 1590 SERIES NO-TILL DRILLS

Schlueter Harrow Parts List		
Item	Part No.	Description
1	H712	Spring Tine
2		Hex Capscrew, 5/16" x 2"
3		Lockwasher, 5/16"
4		Hex Nut, 5/16"
5	H10050-01 H10053-01	Tine Bar, 93" Tine Bar, 117"
6	H10046-00 H10045-00	Cross Bar, 73" Cross Bar, 81"
7	H715	U-Bolt, 1/2"
8		Lockwasher, 1/2"
9		Hex Nut, 1/2"
10	H10022-00	Adjustment Tie Bar
11	H10023-00	Pull Bar
12		Nylon Locknut, 3/8"
13		Hex Capscrew, 3/8" x 2 3/4"
14	H10031-00	Attaching Bracket JD 750 Drill
15		Hex Capscrew, 1/2" x 6"
16	H10031-01	Plate



VULCAN EQUIPMENT
 2911 N 2700 EAST ROAD
 FORREST, IL 61741
(815) 688-3051
www.VulcanEquip.com