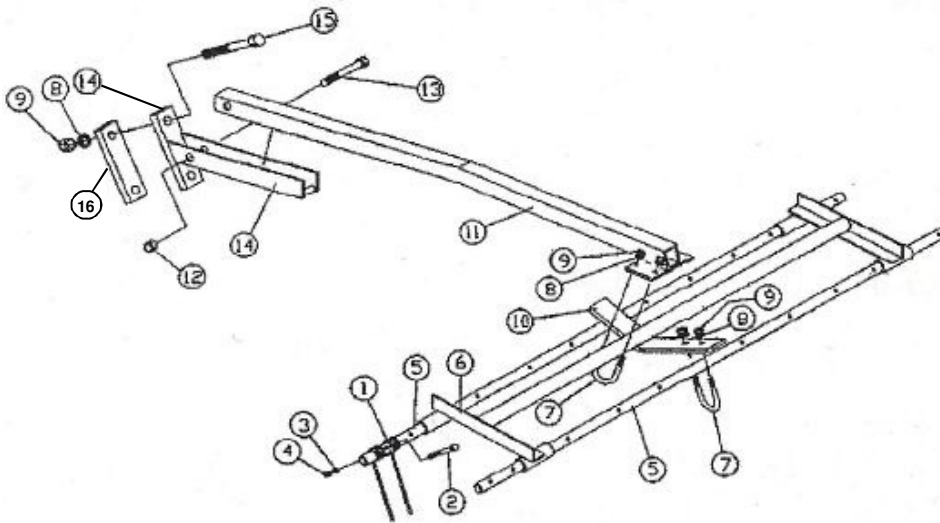
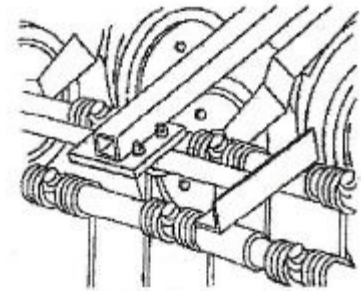
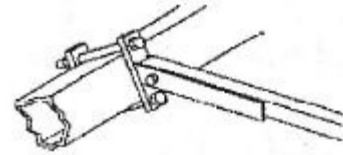


SCHLUETER HARROW INSTALLATION INSTRUCTIONS

FOR JOHN DEERE 455 DRILLS

1. Mount the attaching brackets and pull bars on the back side of the frame pivot tube so the pull bars will pivot up in the bracket but cannot pivot down. Clamp the bracket in place loosely using the bolts supplied. Do not tighten the bolts yet.
2. Install the pull bar ends to the harrow section using the U-bolts supplied. The bars should be located near the end of the mounting tube as shown here. Relocate the brackets on the pivot tube if needed to allow this positioning on the harrow section.
3. Align the pull bars and position the harrow sections so they do not contact the other harrow sections during operation. Tighten all bolts and raise the drill to check the clearance between the gangs. Reposition components if needed.



NOTE: The aggressiveness of the harrow action can be adjusted by loosening the U-bolts on the Adjustment Tie Bar and rotating the Tine Bars. Retighten the U-bolts after adjustment.

Schlueter Harrow Parts List

Item	Part No.	Description	Item	Part No.	Description
1	H712	Spring Tine	9		Hex nut, 1/2"
2		Hex Capscrew, 5/16" x 2"	10	H10022-00	Adjustment Tie Bar
3		Lockwasher, 5/16"	11	H10027-00	Pull Bar
4		Hex Nut, 5/16"	12		Nylon Locknut, 3/8"
5		Tine Bar	13		Hex Capscrew, 3/8" x 2 3/4"
6		Cross Bar	14	H10028-00	Attaching bracket, JD455 Drill
7	H715	U-Bolt, 1/2"	15		Hex Capscrew, 1/2" x 8"
8		Lockwasher, 1/2"	16	H10028-01	Plate

* See your dealer for length of Tine Bars and Cross Bars required for your individual drill models.

VULCAN EQUIPMENT
 2911 N 2700 EAST ROAD
 FORREST, IL 61741
(815) 688-3051
www.VulcanEquip.com